

Quick Start Guide

ZYXEL ENGLISH

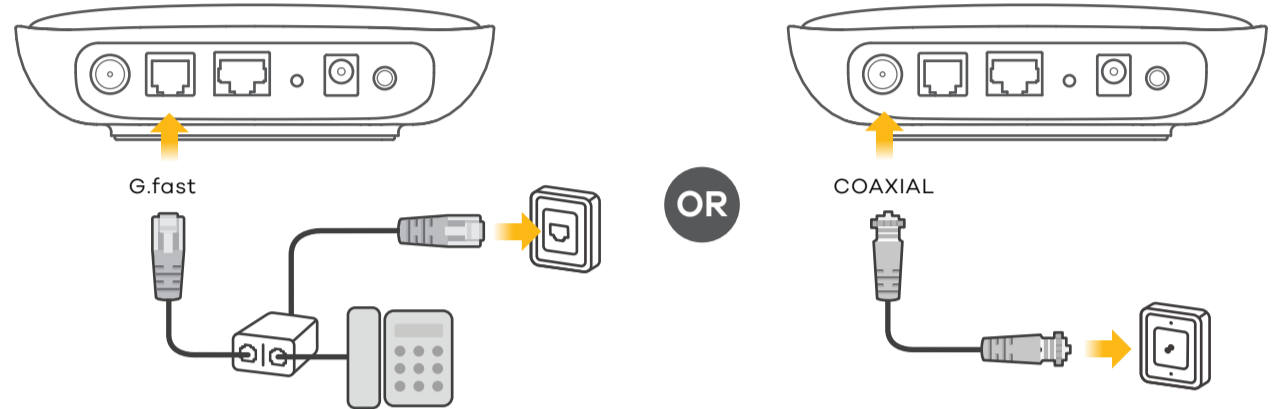
XMG5101-S10A
G.fast Bridge Modem
with 1-port GbE / Coaxial



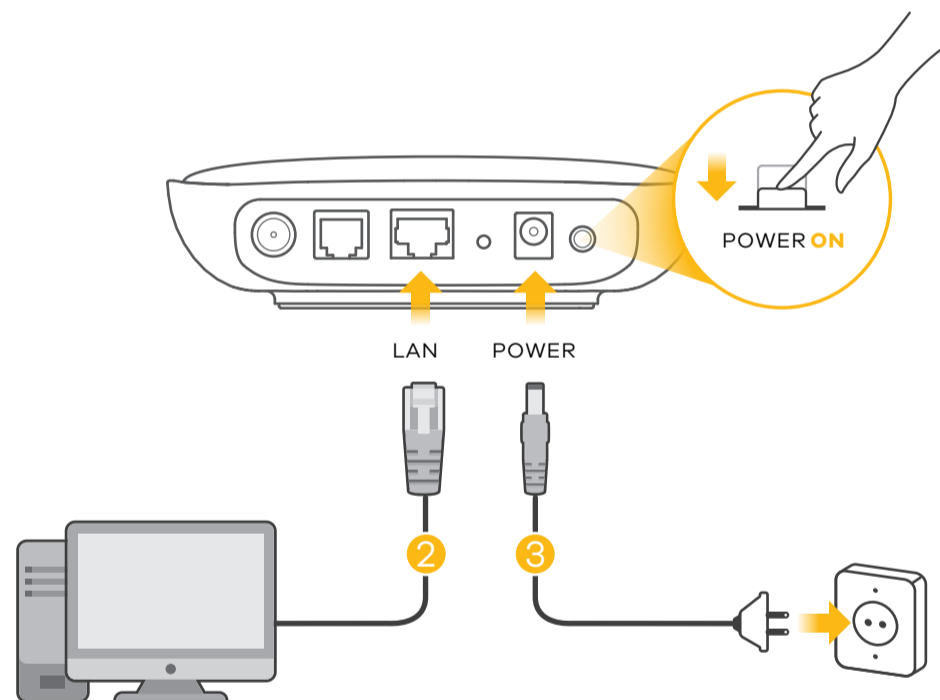
- EN ① Use the gray phone cable to connect the G.fast port to a line splitter or telephone wall outlet.
OR
Use a coaxial cable to connect the coaxial port to a cable wall outlet.
Note: Do not connect both coaxial and gray phone cable at the same time.

Hardware Connections

①



- EN ② Connect a computer to the LAN port using the Ethernet cable.
③ Connect the power cable to the XMG and press the power button.
Note: Ensure the computer's network interface card supports 1Gbps speed.



Turn to the next page.

Quick Start Guide

ZYXEL ENGLISH

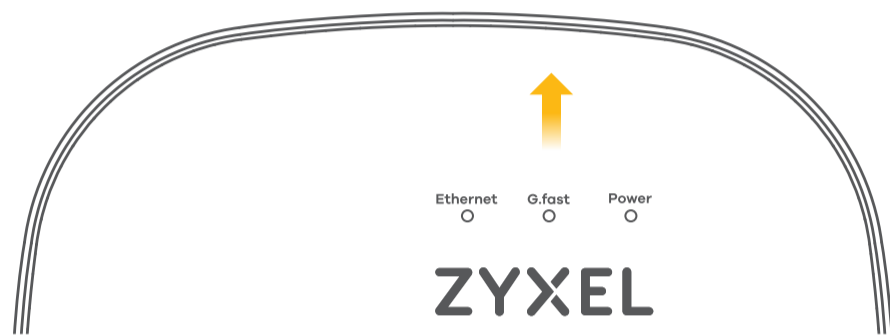
XMG5101-S10A
G.fast Bridge Modem
with 1-port GbE / Coaxial



EN ④ Make sure the LEDs are on and check the status.

④

Power	<ul style="list-style-type: none"> ● Solid green : The XMG is receiving power and functioning properly. ● Off : The XMG's power is off. ● Blinking orange : The XMG is updating its firmware.
G.Fast	<ul style="list-style-type: none"> ● Solid green : The XMG is connected to a G.fast network. ● Off : The XMG is not powered or the associated line is not in use. ● Blinking Green : The XMG is attempting to connect to a G.fast network. ● Blinking Red : The XMG is not detecting a G.fast network.
Ethernet	<ul style="list-style-type: none"> ● Solid green : The XMG's Ethernet connection is up. ● Off : The XMG does not have an Ethernet connection. ● Blinking Green : The XMG is sending / receiving data.

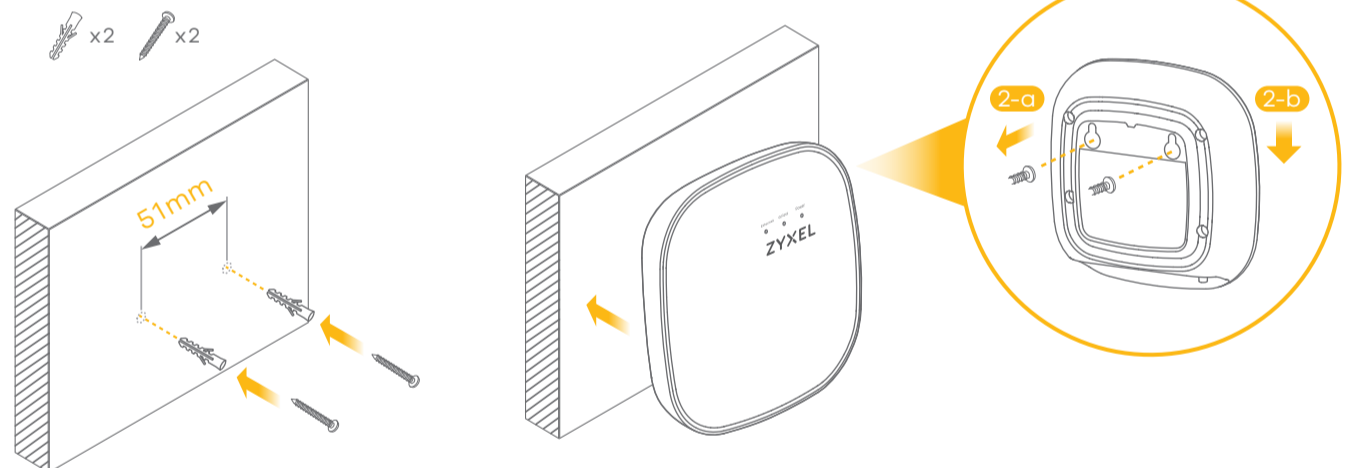


EN ① Drill two holes at a distance of 51mm from each other and insert the masonry plugs and screws.
② Place the XMG so the wall mount holes line up with the screws (2-a). Slide the XMG down gently to fix it into place (2-b).

Wall Mounting

①

②



EN Cut out this real size sketch of the XMG to place on the wall and mark the holes denoting the distance from each other. **OR** Use the ruler on the right side of this page to measure the distance between holes.

