



# KGS-1060, KGS-1060-HP



## Product Highlights:

- Web, telnet, SNMP managed
- IPv6 support
- SFP dual speed support
- SFP DDM support
- Four 802.3at PoE PSE ports
- RSTP, STP, MSTP support
- Multi redundant ring support
- IGMP & MLD snooping
- High power saving
- 802.3az EEE support

## Ordering Information:

| Part#       | Description                                   |
|-------------|---|
| KGS-1060    | Model with PD support and no PSE function     |
| KGS-1060-HP | Model with four PSE ports                     |
| KSD-8PB     | Panel mounting kit                            |
| KPW-300T    | 300W Power supply for PoE & PoE+ applications |

## EMI EMS Safety Environmental Tests:

| Test                      | Standard                  | Specifications   |
|---------------------------|---------------------------|--|
| FCC/EMI                   | FCC Rule Part 15          | Class A  |
| CE/EMC/EMI                | EN 61000-6-4              | Class A  |
| CE/EMC/EMS                | EN 61000-6-2              |  |
| ESD Test                  | IEC 61000-4-2             | Contact: +/-4KV<br>Air: +/-8KV                                       |
| RS Test                   | IEC 61000-4-3             | Strength: 10V/m  |
| EFT/BURST                 | IEC 61000-4-4             | DC IN: 0.5KV<br>Signal: 1KV  |
| Surge Immunity            | IEC 61000-4-5             | DC IN: 0.5KV<br>Signal: 1KV  |
| CS Test                   | IEC 61000-4-6             | Level 3  |
| Magnetic Field Imm.       | IEC 61000-4-8             | 50Hz 100A/m  |
| Safety                    | EN 60950-1                |  |
| Dielectric Voltage        | IEEE 802.3                | TP, 1500VAC/60sec.   |
| Insulation Resistance     | IEEE 802.3                | TP, 500VDC/10Mohm  |
| Cold Test                 | IEC 60068-2-1 Ad          | -40°C, 72hrs   |
| Dry Heat Test             | IEC 60068-2-2 Bd          | +75°C, 30%RH, 72hrs  |
| Damp Heat Test            | IEC 60068-2-3 Ca          | +75°C, 95%RH, 72hrs  |
| Storage Test              | IEC 60068-2-4B            | -40°C, 96hrs<br>+85°C, 30%RH, 96hrs<br>+85°C, 95%RH, 96hrs           |
| Vibration Test            | IEC 60068-2-64 Fh         | 10-200Hz: 0.1g <sup>2</sup> /Hz<br>200-500Hz: 0.03g <sup>2</sup> /Hz |
| Shock test                | IEC 60068-2-27 Ea         | 50G  |
| NEMA TS2 Vibration test   | NEMA TS2-2003 Proc. 2.2.8 | 5-30Hz, 0.5g<br>xyZ, 1hr/axis  |
| NEMA TS2 Shock test       | NEMA TS2-2003 Proc. 2.2.9 | 10G  |
| NEMA TS2 Environment test | NEMA TS2-2003 Proc. 2.2.7 | Temp: -34°C-74°C<br>Humid: 0%-90%                                    |
| Humidity Cyclic Test      | IEC 60068-2-30 Db         | 25°C/55°C, 95%RH<br>24hrs, 2 cycles                                  |

## Industrial Managed 10-Port L2 Gigabit Ethernet Switches with 2 dual-speed SFP Slots and 4 PoE+ PSE Ports

### Key Features:

- Eight 10/100/1000Mbps RJ-45 and two dual-speed SFP slots
- All copper ports support auto-negotiation and auto-MDI/MDI-X detection.
- Two SFP slots support dual speed for 100BASE-FX and 1000BASE-X SFP transceivers.
- Full wire speed forwarding
- Supports 802.3x flow control for full-duplex and backpressure for half-duplex
- Port link aggregation function with LACP support
- Supports SFP with Digital Diagnostic Monitoring (DDM)
- Alternatively powered via PoE if direct DC power not available
- Optional four 802.3at-compliant PoE PSE ports
- Supports PoE PSE Redundancy

### Management Features:

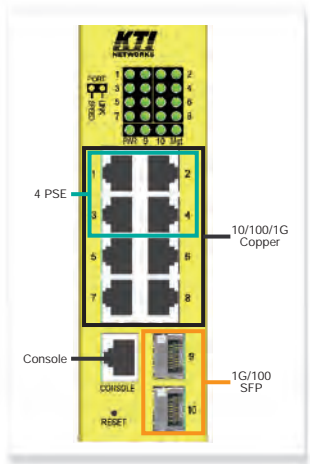
- Management:
  - HTTP/HTTPS/SSHv2/CLI telnet/CLI console/SNMP v1/v2c/v3/RMON
  - DHCP/DHCPv6 client, DHCP relay, DNS client. NTPv4
  - IPv6 support, System Syslog, Configuration down/upload, Software upload
  - HTTPS with SSL/TLS support
- Security:
  - NAS, 802.1X, MAC-based/Web/CLI authentication
  - IP MAC binding, TACACS+, IP source guard
- Layer 2:
  - 802.1Q/MAC-based/Protocol-based/Private/IP subnet VLAN, Port Isolation
  - Storm control for UC/MC/BC packets, Static MAC configuration
  - IGMP v2/v3 snooping, MLD v1/v2 snooping, DHCP snooping, Port mirroring
  - Multiple Spanning Tree – MSTP, RSTP, STP
  - QoS - 8 QoS classes, Tag-based & DSCP-based classification
- KTI's Auto Multi-Ring (KAMR) Technology:
  - Fast failover response time, Auto recovery when failure is repaired
  - Supports up to five redundant rings, Works with RSTP network

## Specifications:

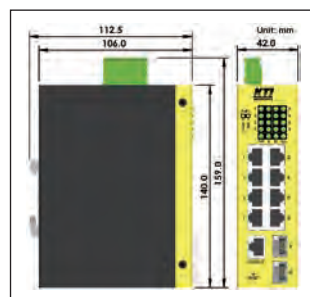
|                |   |
|----------------|---|
| Standard       | IEEE 802.3, 802.3ab, 802.3z, 802.3x, 802.3at, 802.1x, 802.1w, 802.1D, 802.1Q  |
| Network Ports  | 8 10/100/1000Mbps Gigabit copper ports, 2 1G/100Mbps SFP slots  |
| Copper Port    | Shielded RJ-45, 10/100/1000Mbps, auto-negotiation, auto-MDI/MDI-X   |
| Mini-GBIC SFP  | SFP connector, Interface: 1000BASE-X and 100BASE-FX support   |
| Console        | Connector: Shielded RJ-45, Interface: RS-232  |
| Network Cables | 10/100/1000Mbps copper: Cat.5, 5e or higher up to 100m<br>1000Base-X: 62.5/125µm, 50/125µm MM fiber, 9/125µm SM fiber |



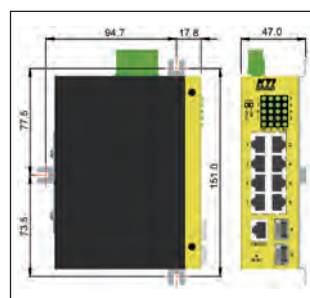
KGS-1060-HP Ports



DIN-Rail Dimension



Panel Dimension



**Katron Technologies Inc.**

15F-7, No. 79, Sec. 1, Hsin Tai Wu Rd.,  
Hsi-chih, New Taipei City, Taiwan, R.O.C.  
Tel: 886-2-2698-3878  
Fax: 886-2-2698-3873  
E-mail: kt@ktinet.com.tw  
URL: http://www.ktinet.com.tw

**KTI Networks Inc.**

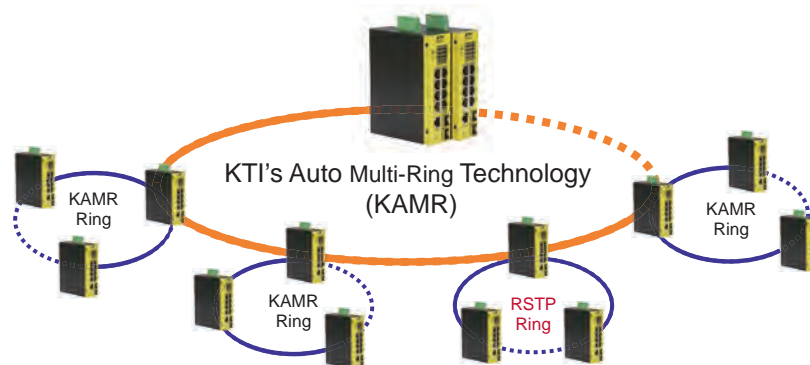
10415-A Westpark Drive, Houston,  
TX 77042. U.S.A.  
Tel: 1-713-266-3891  
Fax: 1-713-914-0555  
E-mail: contact@ktinet.com  
URL: http://www.ktinet.com

Trademarks: All brand names are trademarks or registered trademarks of their respective holders. This information is subject to change without prior notice.

|                     |   |
|---------------------|---|
| Power over Ethernet | IEEE 802.3at compliant (High power PoE)<br>PSE on Port 1 ~ Port 4<br>30W max. at port output for Cat.5 distance of 100 meters   |
| MAC Addresses       | 8K  |
| LED Indication      | Per unit: Power, Management status<br>Per port: Speed, link/activity status<br>Per SFP: Speed/link/activity status<br>Per PoE port: PoE status  |
| Relay Output        | Alarm: power failure, specific port link fault<br>Interface: 2 terminal contacts (30VDC/1A max. or 120VAC/0.5A max.)  |
| DC Power Input      | Screwed terminal block: 2 pairs of +/- contacts<br>Operating voltage range: +7 ~ +60VDC<br>Voltage for PoE support: +45 ~ +57VDC  |
| Powered via PoE     | PD port: Port 2<br>IEEE 802.3af & 802.3at compliant Class 3 (only KGS-1060)   |
| Power Consumption   | 9W max. (Full load with no PoE support)<br>130W max. (Full load with 4 PoE+ max. output)  |
| Housing             | Enclosed metal with no fan  |
| Dimension           | 42 x 106 x 140 mm (WxDxH)   |
| Mounting Support    | DIN-Rail, Panel Mounting (Optional)   |
| Environment         | Operating Temperature: -40°C ~ 70°C*<br>Storage Temperature: -40°C ~ 85°C<br>Relative Humidity: 5% ~ 95% non-condensing   |
| Approval            | FCC Class A, VCCI Class A, CE mark Class A, IEC 60950-1 safety<br>EN 61000-6-4 emission, EN 61000-3-2, EN 61000-3-3, EN 61000-6-2<br>Immunity for industrial environment, IEC 60068-2-64 Vibration, IEC 60068-2-27 Shock 50G test, NEMA TS2 environment |

\*60°C ~ 70°C with 1m/s air flow

**Multiple Redundant Rings:**



**Application:**

